

# VEDANA™

# OWNER'S MANUAL

## OASIS FOR PERSONAL CARE™

IMPORTANT INFORMATION FOR THE INSTALLER  
AND THE OWNER

 **BainUltra®**  
The quest for your wellness™

IMPORTANT: TO BE KEPT FOR THE OWNER



## TABLE OF CONTENTS

<b>SAFETY INSTRUCTIONS</b>	5
TECHNICAL SPECIFICATIONS	6
PARTS AND TOOLS	7
SITE PREPARATION	8 - 9
STRUCTURE INSTALLATION	10 - 11
MP3 PLAYER INSTALLATION	12 - 13
ELECTRICAL INSTALLATION	14
FINISHING INSTALLATION	15 - 17
<b>CONTROL INSTRUCTIONS</b>	18 - 23
<b>MAINTENANCE</b>	24 - 25
<b>TROUBLESHOOTING</b>	26 - 27

956, chemin Olivier  
Saint-Nicolas (Québec)  
G7A 2N1

T 418.831.7701

**1.800.463.2187**

F 418.831.6623

**1.800.382.8587**

[info@bainultra.com](mailto:info@bainultra.com)



## SAFETY INSTRUCTIONS

### IMPORTANT: READ AND FOLLOW ALL INSTRUCTIONS

### INSTRUCTIONS PERTAINING TO A RISK OF FIRE, ELECTROCUTION, OR PERSONAL INJURY

- Never let children operate the Vedana™ without supervision.
- Never obstruct the heated air exit with any object.
- Basic precautions must be taken during the installation and usage of electrical products, as mentioned in this manual.
- Installation must allow easy access to components for servicing and repairs.
- Under no circumstances should a substitution be made for any Vedana™ component.
- Cleaning measures should be duly followed, including the recommendation to clean the filters.
- Avoid wearing contact lenses or jewelry during Thermotherapy sessions.
- To reduce the risk of injury never touch the metal structure or ceramic around the Vedana™ during thermotherapy session.
- Do not install shower heads or water spray device above the sauna heater.
- As in any heated environment, prolonged exposure to high temperatures may trigger hyperthermia (overheating). Hyperthermia occurs when internal body temperature rises above normal body temperature of 98.6 °F (37 °C).
- Symptoms of hyperthermia include an increase in internal body temperature, dizziness, nausea, loss of consciousness, lethargy, and drowsiness. The effects of hyperthermia include:
  - Inability to perceive heat;
  - Inability to recognize the need to exit the room;
  - Physical inability to leave the room;
  - Unawareness of danger;
  - Fetal injury in pregnant women;
  - Loss of consciousness.
- If you are a pregnant women, or a person who have had a stroke or have heart disease, kidney failure, or a history of heat stroke, contact a doctor before doing a Thermotherapy session. The use of drugs or alcohol may significantly increase the risk of death from hyperthermia.
- Drink water before, during and after the therapy to avoid dehydration.
- Use gradually the therapeutic system.
- All electrical connections must be made by a certified electrician in accordance with local, provincial/state, and federal building/electrical code regulations.
- Make connections as shown in diagram. Make connections in the control box before connecting to power supply.
- This unit is connected to a 120/240 V circuit.
- The unit's electrical system must be connected to a circuit protected by a 40 Amperes Class A ground fault circuit interrupter (GFCI). These components must be new.
- Control panel connections must be minimum no. 8 AWG copper conductors rated minimum 194 °F (90 °C).
- All electrical connections to the MP3 player must be made with the provided wiring and must not be cut.

#### PRECAUTIONS FOR ESSENTIAL OILS AND NEBULIZER:

- Never drink essential oil or leave children alone with essential oil.
- Do not drop essential oils in nose, ear, or anogenital mucosal.
- If allergic reactions occur, stop using the product.
- Do not use if the seal is broken.
- Manipulate the diffuser with care to reduce the risk of injuries.
- Avoid contact of essential oil with eyes. In the event of accidental contact with eyes, carefully apply vegetable oil to the affected eye with a cotton swab. **DO NOT rinse eyes with water.** See immediate medical assistance.



#### WARNING

- FAILURE TO FOLLOW THE SAFETY INSTRUCTIONS OF THE MANUEL COULD RESULT IN SERIOUS PERSONAL INJURY AND/OR PROPERTY DAMAGE.
- USE THIS VEDANA™ UNIT FOR ITS INTENDED PURPOSES OR AS DESCRIBED IN THIS MANUAL. USE ONLY ATTACHMENTS RECOMMENDED BY THE MANUFACTURER.

# TECHNICAL SPECIFICATIONS

VEDANA™

## DIMENSIONS

21" x 80" x 9 1/2"

## THERAPIES INCLUDED

Aromatherapy

Thermotherapy®

Light therapy™

Chromatherapy

Sound therapy™

## GENERAL SPECIFICATIONS

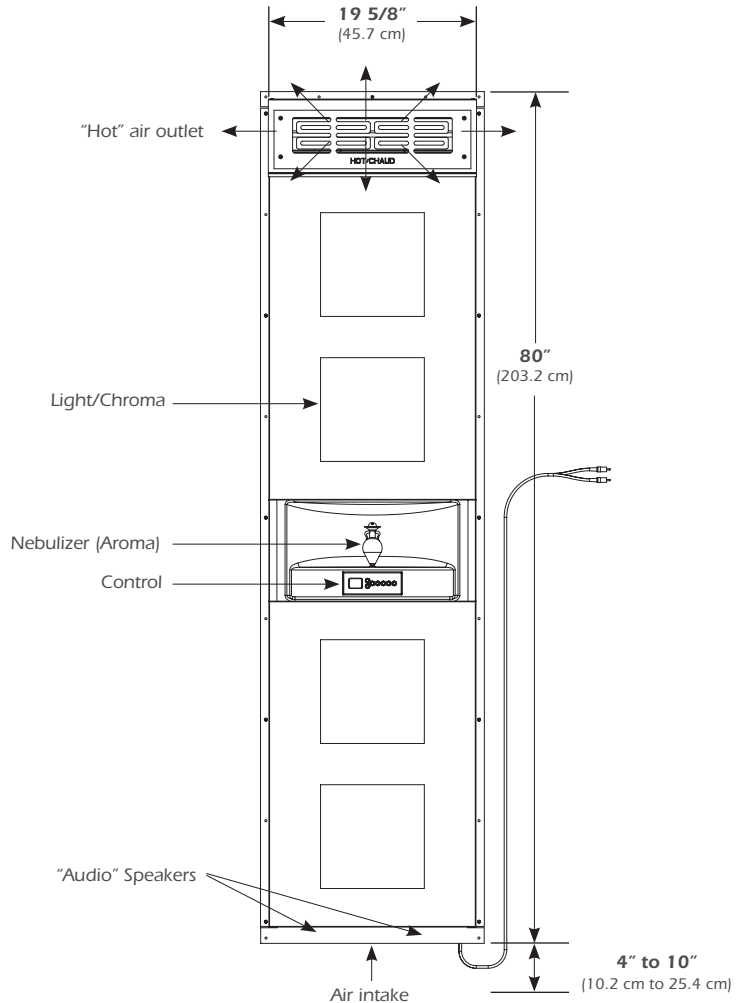
Polycarbonate

Galvanized stainless structure

Stainless steel and polycarbonate finish

All bolts required for assembly included

This unit is connected to a 120/240 V circuit / 40 Amp.



3 1/2" structure with minimum 3" fiberglass insulation

1/2" Gypsum or 1/2" fiber cement

1/2" to 1" finishing



Polycarbonate & Components\*

- The manufacturer accepts a 1/4" (0.64 cm) variance. There are variations on each product and specifications are subject to change as we improve our product. The dimensions needed for site preparation and structure building may differ. BainUltra® assumes no responsibility for preparatory work done prior to the product being on site.

\* Some restrictions may apply.

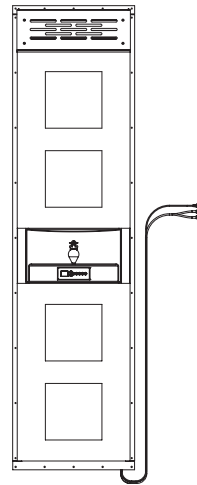
## PARTS AND TOOLS

### A. PARTS INCLUDED

<b>A-1</b>	Vedana
<b>A-2</b>	Nebulizer
<b>A-3</b>	MP3 player
<b>A-4</b>	Essential oils bottles
<b>A-5</b>	12 #8 x 1 1/2" screw
<b>A-6</b>	2 Hyperthermia warning

### B. TOOLS REQUIRED

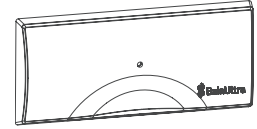
<b>B-1</b>	Drill
<b>B-2</b>	Caulking gun
<b>B-3</b>	24" Level
<b>B-4</b>	24" Square
<b>B-5</b>	Measuring tape
<b>B-6</b>	Hole saw
<b>B-7</b>	Phillips screwdriver
<b>B-8</b>	1/8" Allen key



A-1



A-2



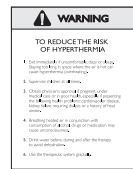
A-3



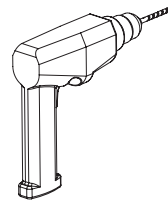
A-4



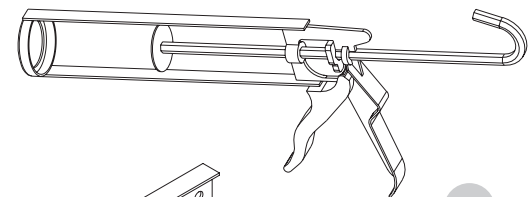
A-5



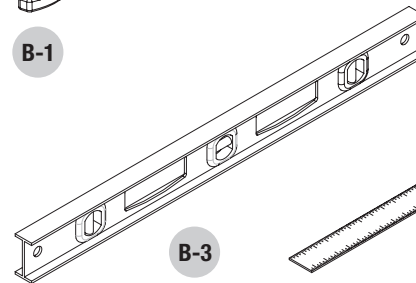
A-6



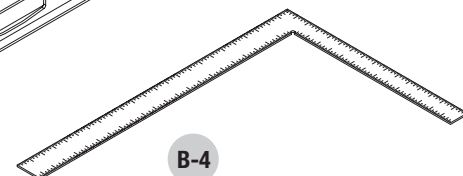
B-1



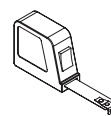
B-2



B-3



B-4



B-5



B-6



B-7



B-8

### IMPORTANT

- Vedana™ unit was delivered in a single box.
- Please make sure that all parts are present and in proper condition.

# SITE PREPARATION

## INSTALLATION CONFIGURATION

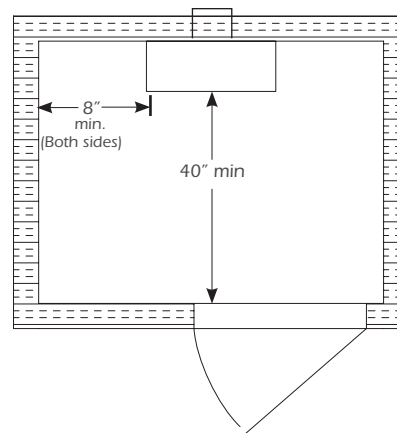
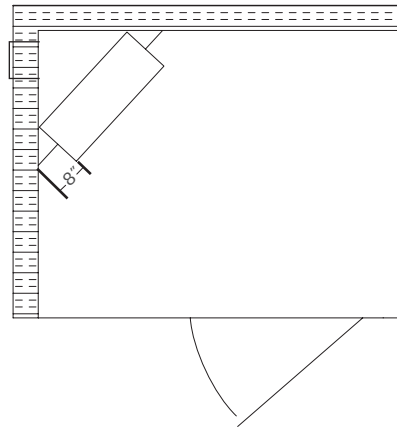
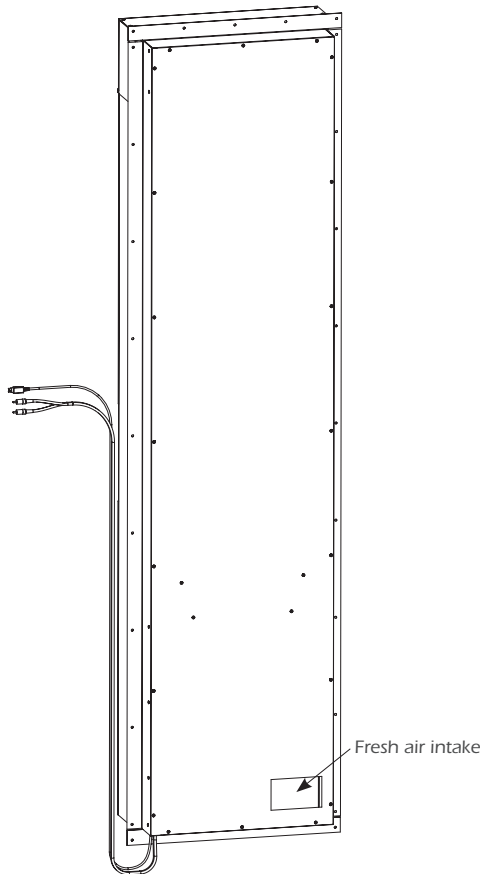
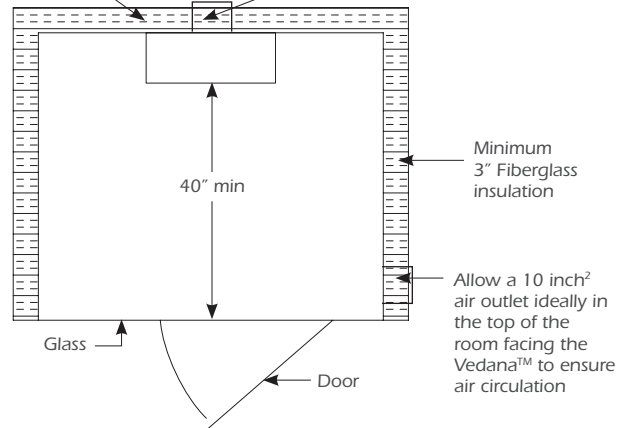
Your Vedana was designed to provide optimal efficiency in a room of 120 ft<sup>3</sup> to 280 ft<sup>3</sup>. Minimum ceiling height: 7pi, maximum 8pi.

Do not install closer than 8 in to any vertical surface, 2 in to ceiling or 4 in to the floor. Run the wires and connect them to the MP3 player.

**IMPORTANT:** All electrical connections must be carried out by a certified electrician.

Do not screw on the back wall facing the Vedana™

Minimum air intake of 24 po<sup>2</sup> behind the Vedana™

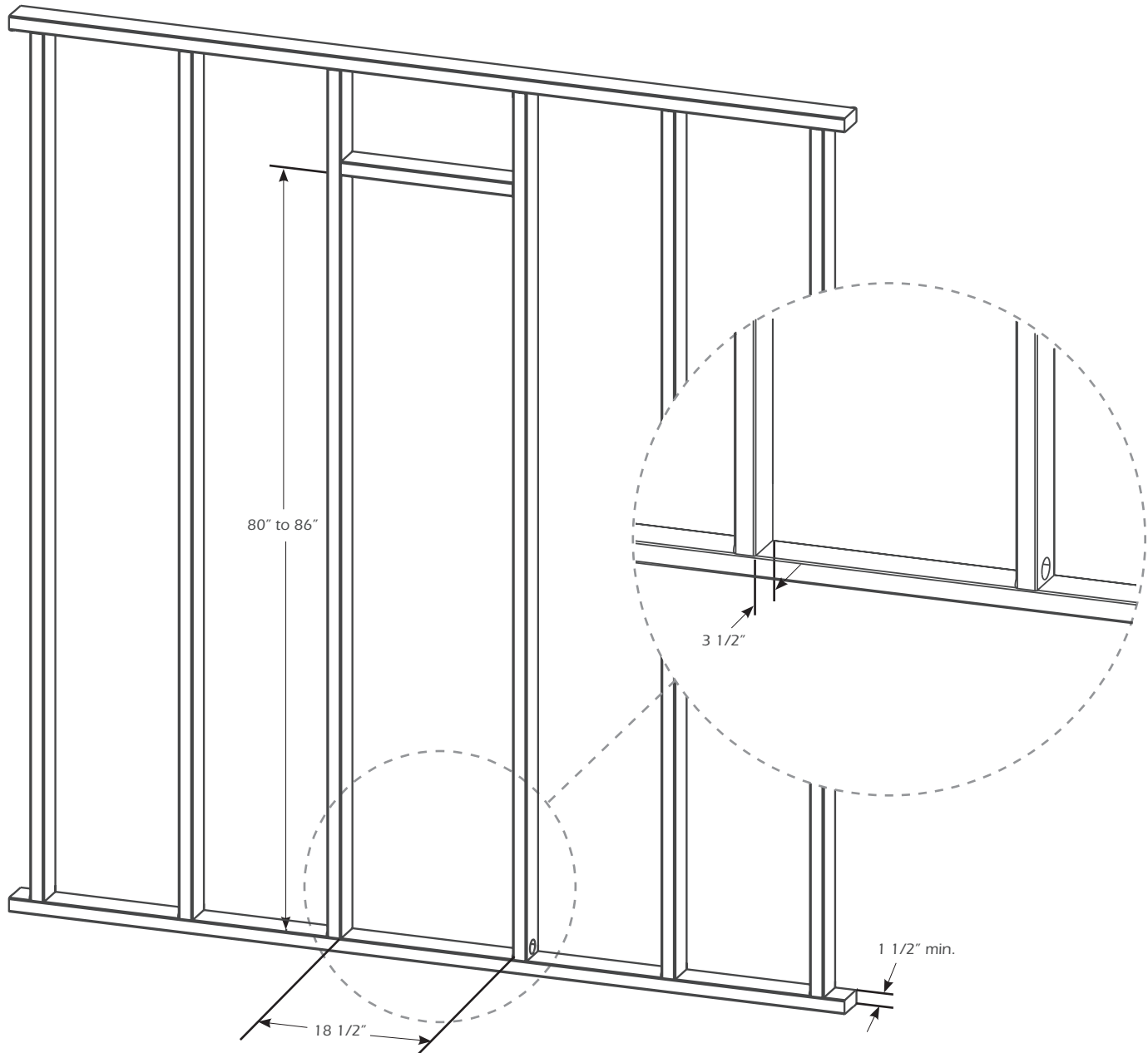


**! WARNING**

- Do not install on an exterior wall, this would reduce the insulation of your house.
- Doors must always open outwards. All that should be needed to open the door is a light pressure. Never install any locking or latching on the door. Make sure that the door can't cause any entrapment.



STRUCTURE AND INSTALLATION OF SUPPORTS

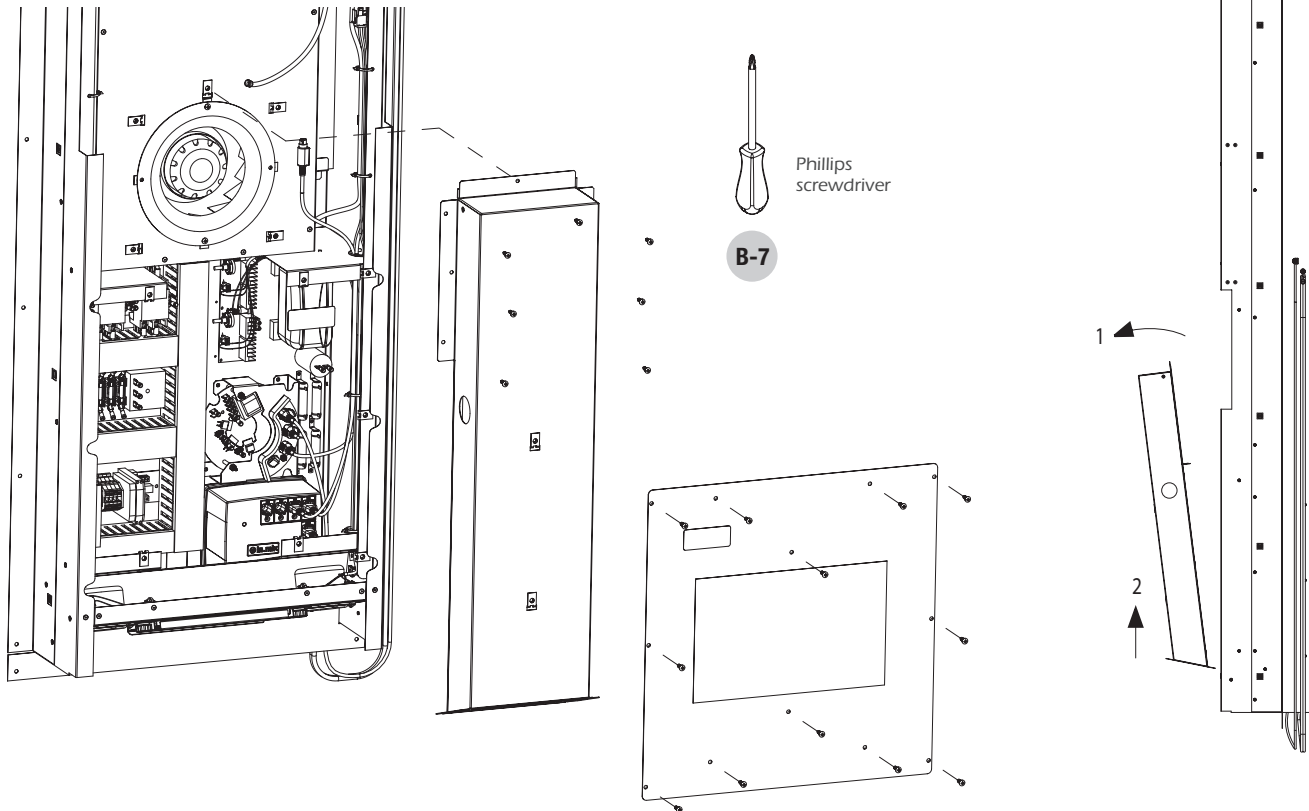
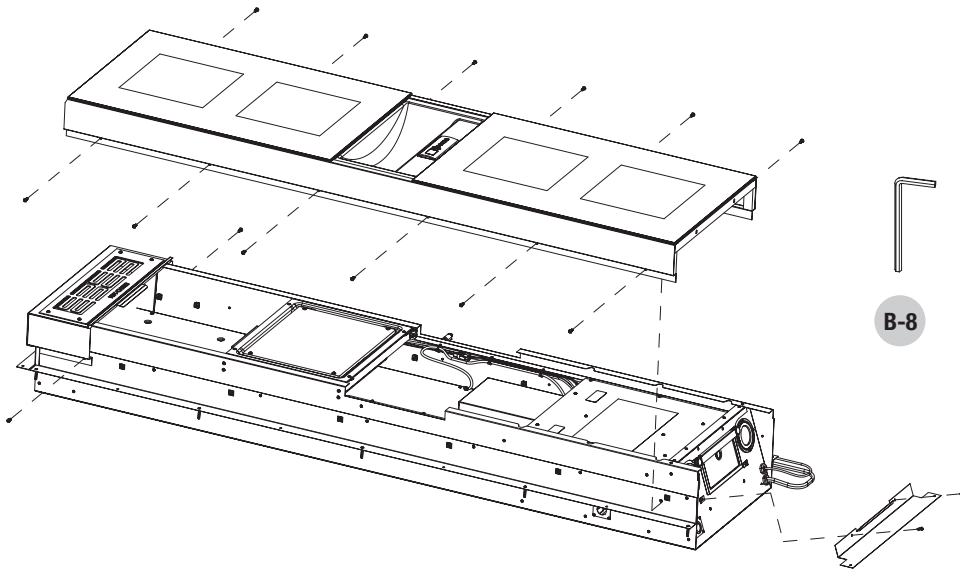


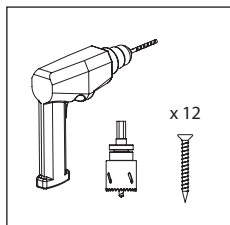
**WARNING**

- Do not install shower faucets or a shower head any closer than 3 ft (36") from the Vedana™.

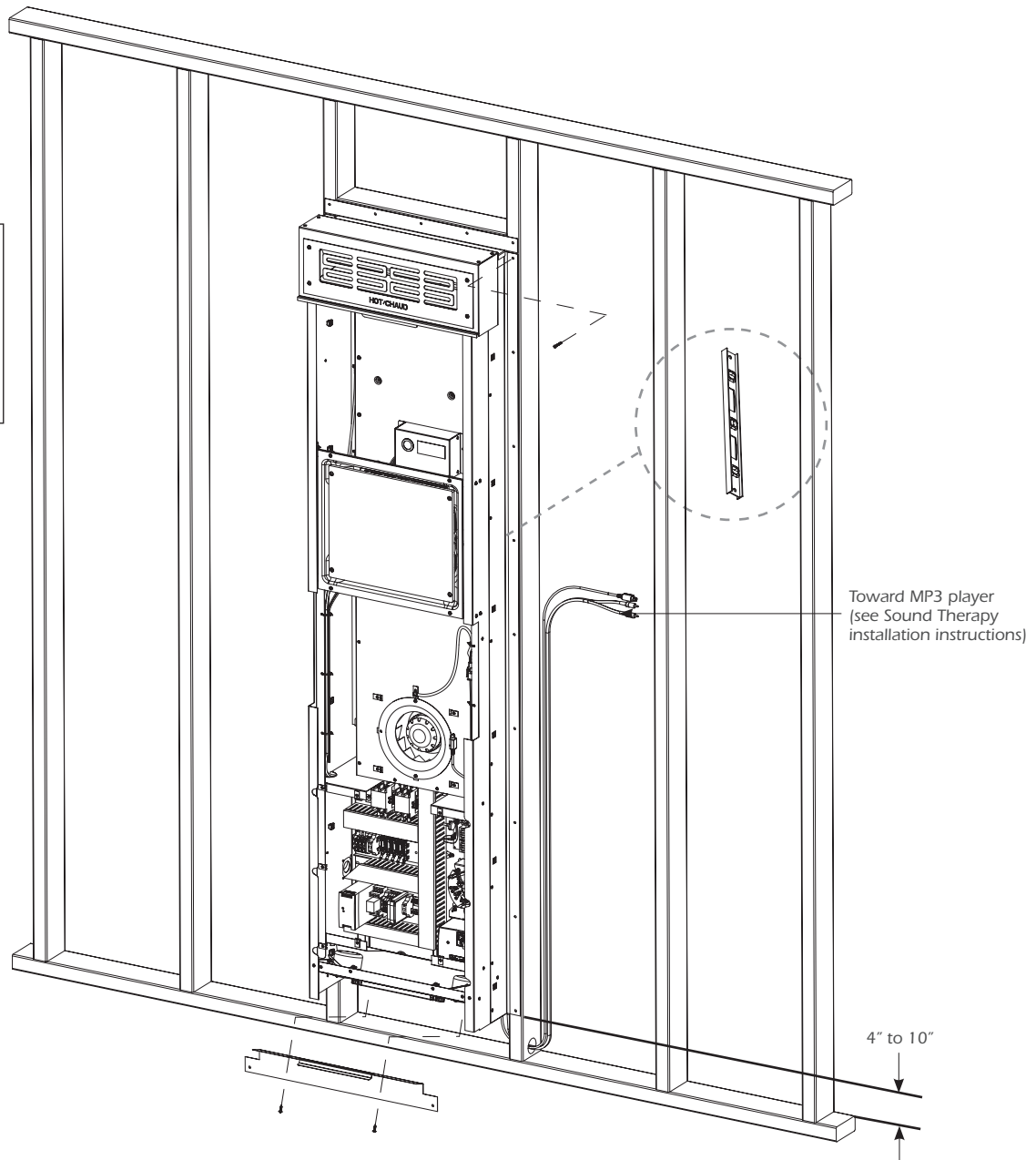
# STRUCTURE INSTALLATION

VEDANA™





DRILL AND SCREW



**! WARNING**

- Always handle the Vedana™ with the help of another person to avoid breach and/or injury.
- Sound system must be installed outside shower enclosure as it is not designed to withstand high temperatures.
- When drilling holes, be careful not to damage the stainless steel side panels.

## MP3 PLAYER INSTALLATION

VEDANA™

### INSTALLING THE MP3 PLAYER

In the wall, cut out a rectangle 105 mm (4 1/8") long by 54 mm (2 1/8") high.

Drill two mounting holes at 132 mm (5 1/4") and insert the blue anchors for the no. 8 screws.

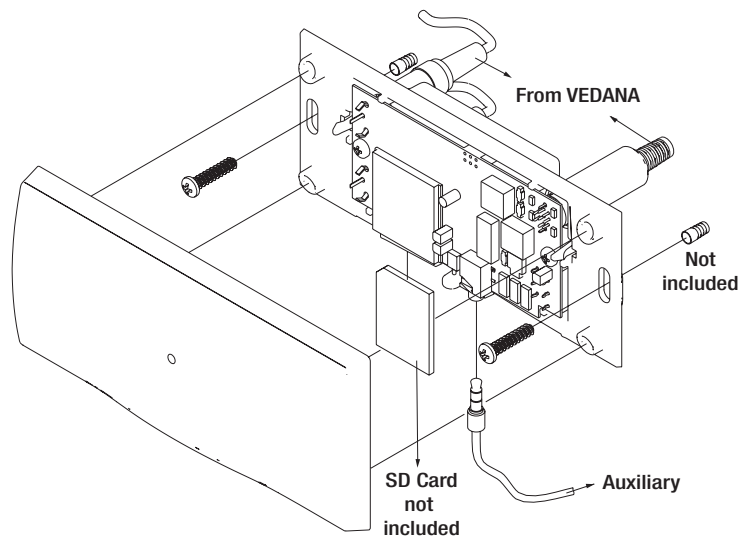
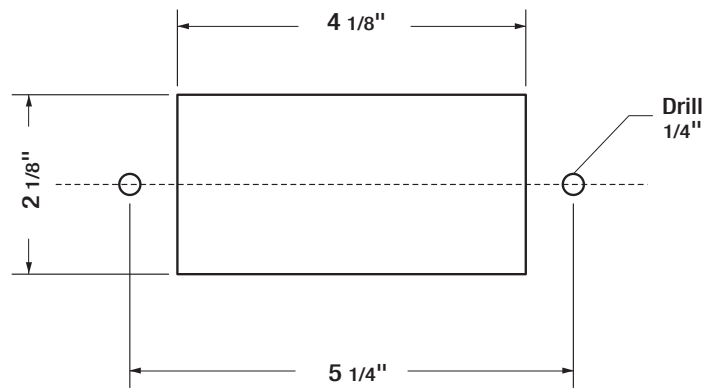
Run the wires and connect them to the MP3 player.

Detach the MP3 player faceplate and screw the two no. 8 screws into the blue anchors.

Verify if the MP3 player is working. If it is working properly, reattach the MP3 player faceplate using the clips (see drawing).

### CONNECTING MP3 PLAYER TO THE VEDANA

Take Mini-DIN + RCA cable provided with Vedana and bring to MP3 player through wall.



### WARNING

- Risk of electrocution. The MP3 player must be installed at least 1.5 meters (5') from all water sources, such as bathtubs, showers, sinks, etc. Failure to follow these instructions may result in risk of electrocution and harm to your health. The MP3 player must be installed in an environment where the temperature is between 32 °F (0°C) and 113 °F (45°C). The relative humidity in the room where it is installed must not be higher than 95%.
- Non-compliance of these terms will void the warranty.

### CONNECTING ELECTRICAL POWER SUPPLY

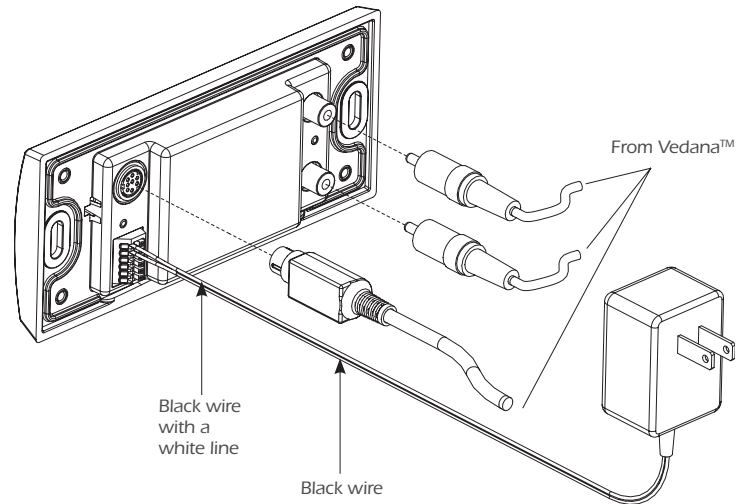
The electrical power supply module must be plugged into a 120 volt/15 amp/60 hertz outlet.

After running the wire into the wall, plug the black wire with a white line into the first connector from the top and the black wire into second connector.

The power supply module may be connected a maximum of 6.09 meters (20') from the MP3 player.

Electrical hookup must be performed in compliance with the local electrical code.

To properly insert the stripped wires into their connectors, use the tip of a pencil to push on the connecting strip. It will then be easy to insert the wire.



### CONNECTING A PERMANENT EXTERNAL SOURCE

To connect an external analog Source such as a central sound system, connect the wires to the back of the MP3 player

**NOTE:** The input signal must not exceed 10 watts.

# ELECTRICAL INSTALLATION

VEDANA™

## ELECTRICAL CONNECTIONS

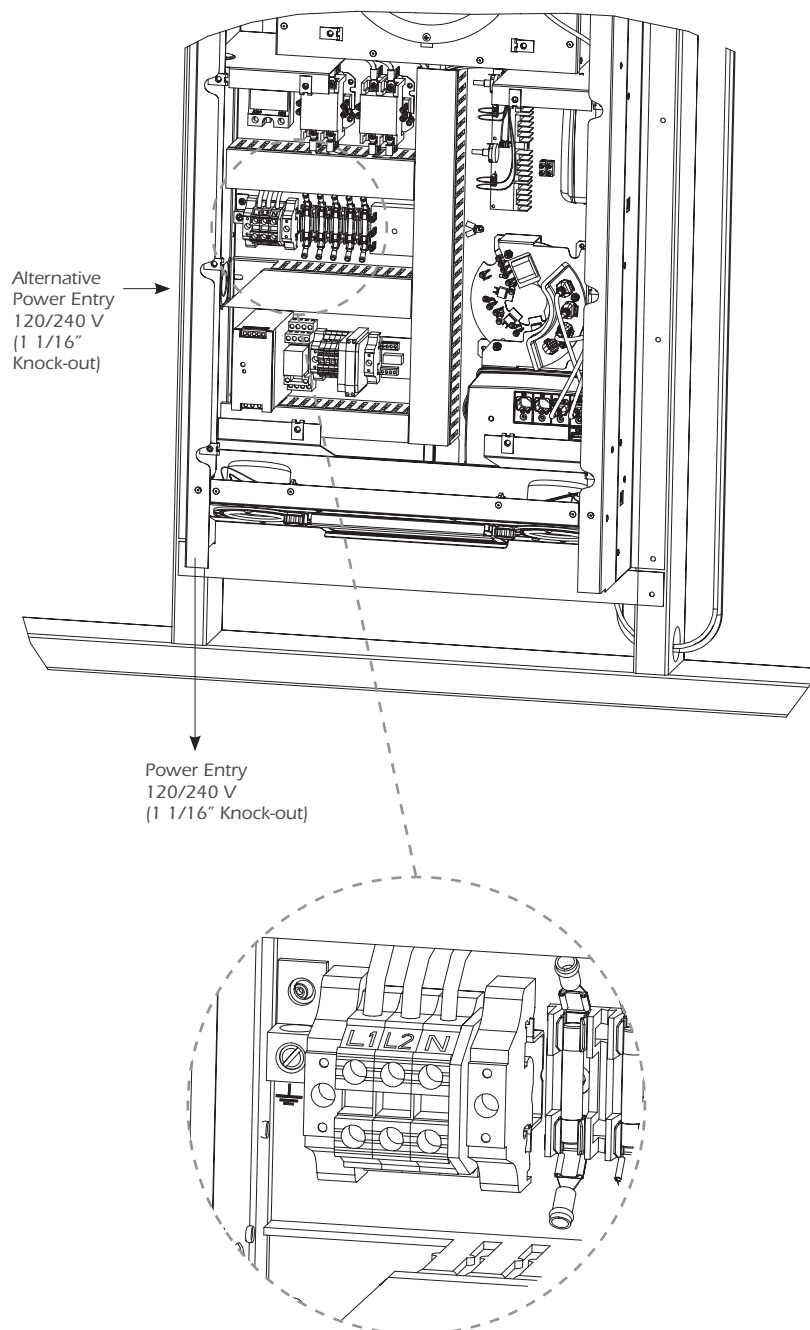
Proceed carefully when installing the electrical system, paying close attention to the following: All electrical connections must be made by a certified electrician in accordance with local, provincial/state and federal building/electrical code regulations.

Make connections as shown below. Make connections in the control box before connecting to power supply.

This unit is connected a 120/240 V circuit.

The unit's electrical system must be connected to a circuit protected by a 40 Amperes Class A ground fault circuit interrupter (GFCI). These components must be new.

Connections must be minimum No. 8 AWG copper conductors rated minimum 194 °F (90 °C).



**! WARNING**

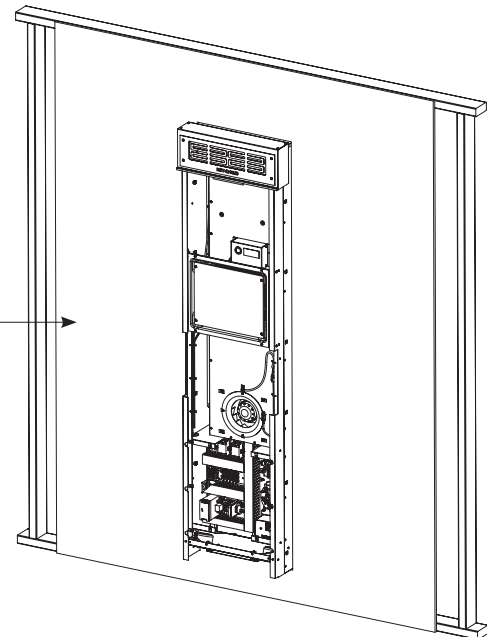
- Under no circumstances should a substitution be made for any Vedana™ component.

## FINISHING INSTALLATION

VEDANA™

### INSTALLATION OF WALL PANELS

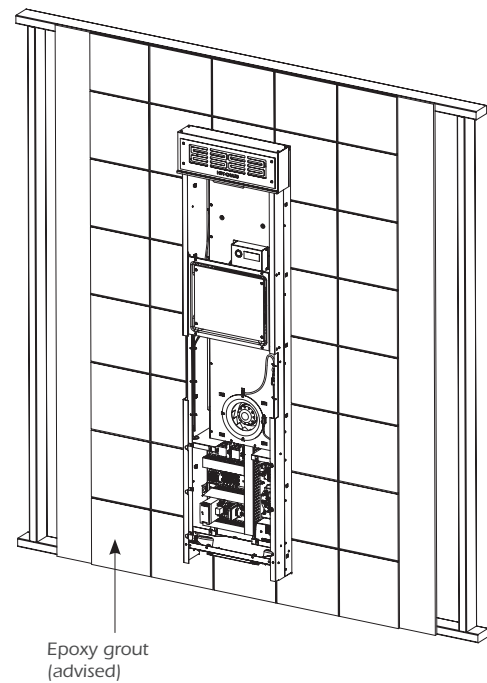
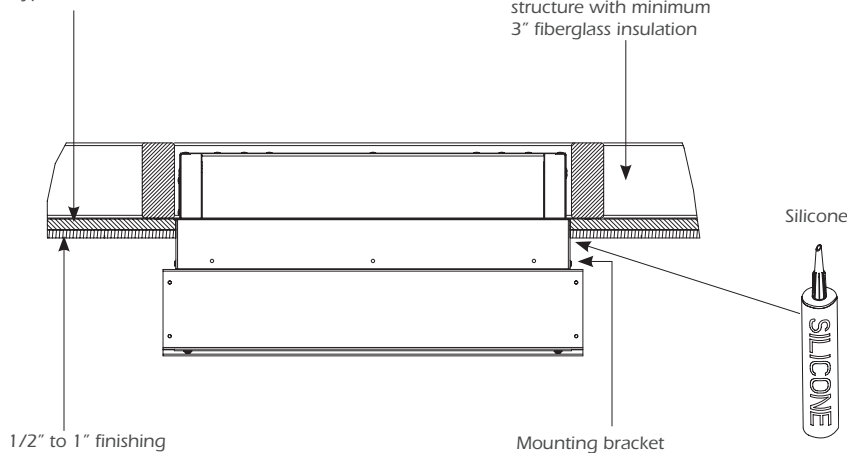
Humidity-resistant gypsum  
or fiber cement  
1/2" thick



### INSTALLATION OF CERAMIC TILES

Gypsum or fiber cement

Minimum 3 1/2" structure with minimum  
3" fiberglass insulation



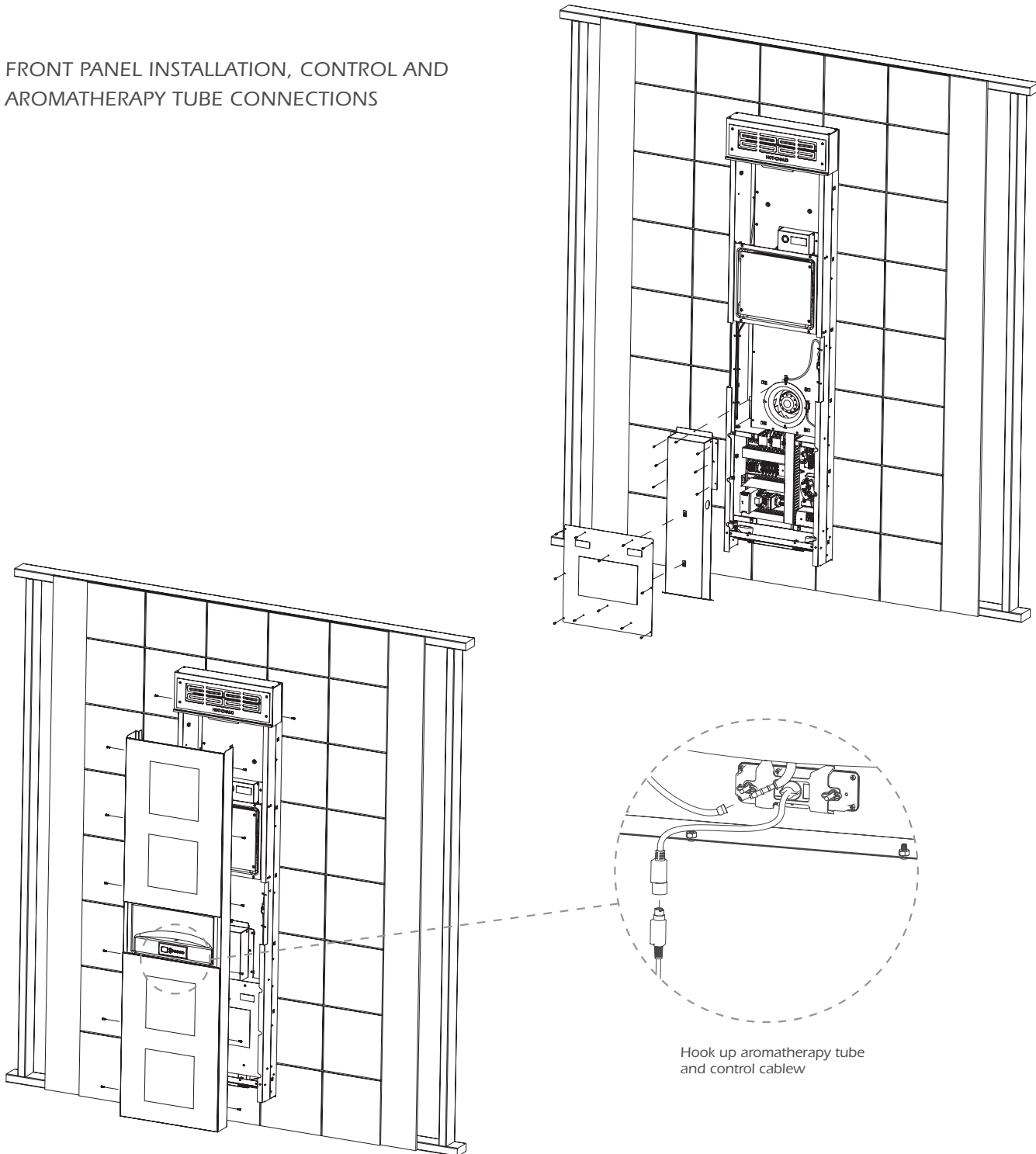
Epoxy grout  
(advised)



#### WARNING

- Install ceramic according to industry standards.
- Never drill into the Vedana™ structure, but only into the expressly designated places.

FRONT PANEL INSTALLATION, CONTROL AND AROMATHERAPY TUBE CONNECTIONS



Hook up aromatherapy tube and control cable

**! WARNING**

- Use a hand-held screwdriver to avoid damaging the front panel.
- Make sure to properly secure in place the 14 screws of the front panel.
- Connect and test the control before final installation.



## INSTALLING WARNING SIGN



### WARNING

#### TO REDUCE THE RISK OF HYPERTHERMIA

1. Exit immediately if uncomfortable, dizzy or sleepy. Staying too long in space where the air is hot can cause hyperthermia (overheating).
2. Supervise children at all times.
3. Obtain physician's approval if pregnant, under medical care or in poor health, especially if presenting the following health problems: cardiovascular disease, kidney failure requiring dialysis or a history of heat stroke.
4. Breathing heated air in conjunction with consumption of alcohol, drugs or medication may cause unconsciousness.
5. Drink water before, during and after the therapy to avoid dehydration.
6. Use the therapeutic system gradually.

# CONTROL INSTRUCTIONS

## KEYS AND FUNCTIONS

### ◀ Menu ▶

Press either of these keys to navigate the main menu of the MiaPlus™ control panel.

Press the ▶ key to see the next function.

Functions are displayed in the following order:

- **Vedana logo**
- **Thermotherapy** (activate)
- **Thermotherapy** (settings while activated)
- **Duration** (thermotherapy)
- **Sound** (MP3 player)
- **Duration** (sound)
- **Chroma** (chromatherapy)
- **Duration** (chroma)
- **Light** (light therapy)
- **Duration** (light therapy)
- **Aroma** (aromatherapy)
- **Intensity** (aroma)
- **Duration** (aroma)
- **Preprogrammed sessions** (experience)
- **User**
- **Save** (user)
- **Lock**
- **Contrast** (screen contrast)
- **Language**
- **Home** (audio message)
- **Contact us**

Press the ◀ or ▶ keys to navigate the functions.



Press this key to return to the beginning of the function setting cycle. The Vedana logo appears on screen by default.



Press this key to start the control system. Therapies will not begin until start key is pressed. Each therapy must be started individually.

## SIMPLICITY AND EASE OF USE

The MiaPlus™ control panel is very easy to use. Simply push the ◀ or ▶ keys to navigate through the main functions and the ▲ or ▼ arrows to select your options.

## SHARP, CLEAR SCREEN FROM ANY ANGLE


The digital control panel screen of the BainUltra MiaPlus™ features the latest OLED (organic light emitting diode) technology to display crisp, clear content from any angle.

## MAIN FUNCTIONS


The functions and options of the MiaPlus™ let you fully customize your Vedana:

- Change temperature of thermotherapy
- Select duration of each treatment independently
- Activate sound therapy system (MP3 player)
- Choose color of light (chromatherapy)
- Activate light therapy system
- Activate aromatherapy system
- Select a BainUltra preprogrammed sessions
- Personalize session settings for 4 different users
- Lock controls when Vedana is not in use
- Change screen contrast
- Choose language
- Activate/deactivate audio welcome message

**ON/OFF**
**ON**

Press the  key to turn on the Vedana control panel. You may now start each of your selected therapies and make any other adjustments.

**OFF**

Press the  key to stop all Vedana therapies and turn off the MiaPlus™ control panel.



Press either of these keys to navigate the options of each function.

Press the  arrow to go up.

Press the  arrow to go down.

**OK**

Press this key to accept the selected options and settings.

**THERMOTHERAPY**

This function lets you activate your thermotherapy. Select **Activate** press **OK**, and the **Comfort** option will appear. This allows you to set the desired temperature inside your Vedana.

**TO INCREASE TEMPERATURE:**


Press **Activate**. When you reach the desired temperature, press **Comfort**.

**TO REDUCE THE TEMPERATURE:**

Press **Deactivate**. The Vedana does not have a cooling function so the temperature decrease depends on your Vedana's space insulation. When you reach the desired temperature, press **Activate** and then **Comfort**, and the temperature will remain steady.




**DURATION**

This function allows you to program the thermotherapy time from 5 to 45 minutes.

To select the time, you must first activate the **Thermotherapy** function. Then press the  key until the **Duration** function appears.


Use the  or  arrows to select the desired time.

Pressing **OK** is optional.

Use the  or  keys or the  key to return to the main **Vedana** screen.

**SOUND**

This function provides access to sound therapy and Euphonia system controls.

Select the **Sound** function by pressing the  key until the **Sound** function appears.

TEN OPTIONS ARE AVAILABLE:

- **Stop**
- **Play/Pause**
- **Next**
- **Previous**
- **Volume**
- **Playlist**
- **Mode**
- **Source**
- **Equalizer**
- **Speakers**

Use the  or  arrows **to select these options.**

**STOP**

Press **Stop** to turn off the system.

**PLAY**

To listen to music, select **Play**. Press **Play/Pause**. The musical selection will begin with the last song heard in the previous session.

Press **Play/Pause** again to pause the music

**NEXT/PREVIOUS**

These keys let you change songs from within a selected Playlist.

## SOUND (NEXT)

**VOLUME**

To change the volume of your MP3 player, select **Volume** in the **Sound** menu by pressing **OK**.

Press the ◀ key to return to the **Sound** menu.

**PLAYLIST**

This menu lets you select from the MP3 player's preprogrammed musical files.

Select **Playlist** in the **Sound** menu. Press **OK**.

TWO OPTIONS ARE AVAILABLE IN THE SOURCE MENU:

- Songs preselected by BainUltra (named BU List)
- Your personal selection as identified on your SD card (named PERS LIST)

Select **All** using the ▲ or ▼ arrows to listen to songs in the programmed order. Press **OK**.

Select the desired file using the ▲ or ▼ arrows to listen to preprogrammed musical content only. Press **OK**.

To return to the **Sound** menu, press the ◀ key.

**MODE**

THIS MENU LETS YOU LISTEN TO MUSIC IN THREE MODES:

- **Shuffle**
- **Repeat**
- **Continuous**

Select **Continuous** to hear every song in the file in order. Press **OK**.

Select **Shuffle** to hear the songs in the selected file in shuffle (no particular) order. Press **OK**.

Select **Repeat** to listen to the same song continuously. Press **OK**.

Press the ◀ key to return to the **Sound** menu or to go to the **File** menu.

## SOUND (NEXT)

**SOURCE**

This menu lets you select an audio **Source**. The default audio source is the BU List (musical selection by BainUltra). You can use an SD card to listen to your own musical selections. However, you can connect the MP3 player to an External source, such as a multipiece sound system or some other source.

Select **Source** in the **Sound** menu using the ▲ or ▼ arrows. Press **OK**.

THREE OPTIONS ARE AVAILABLE:

- **BU LIST**
- **PERS LIST**
- **EXTERNAL**

Use the ▲ or ▼ arrows to select **BU**, **PERSO**, or **EXTERNAL** then press **OK**.

Press the ◀ key to return to the **Sound** menu.

**SPEAKERS**

This menu lets you activate or deactivate the audio player speakers.

Select **Speakers** in the **Sound** menu using the ▲ or ▼ arrows. Press **OK**.

The Vedana speakers are activated by default. YOU HAVE TWO OPTIONS:

- **Activate**
- **Deactivate**

Select **Activate** to listen to music through the speakers. Press **OK**.

Press the ◀ key to return to the **Sound** menu.

**EQUALIZER**

This menu lets you adapt the sound to the type of music being played.

Various options are available. Use the ▲ or ▼ arrows to select the type of sound you want.

Press the **OK** key to return to the **Sound** function menu.

### DURATION (SOUND THERAPY)

You can adjust the **Duration** from 5 to 45 minutes or select **Continual** mode.

### CHROMA

This function uses color to provide increased comfort to body and soul.

To use the **Chroma** function, press the ► key on the menu until the **Chroma** function appears on the screen.

To turn off the **Chroma** function, select **Deactivate**. Press **OK**.

Use the ◀ or ▶ keys or the 🏠 key to return to the main **Vedana** screen.

#### CHOOSING A COLOR

Choose the desired color using the ▲ or ▼ arrows.

Use the ◀ or ▶ keys or the 🏠 key to return to the main **Vedana** screen.

#### SELECTING SCAN

Select the **Scan** option using the ▲ or ▼ arrows

#### PAUSING A COLOR

To Pause a color when chromatherapy is in **Scan** mode, select **Pause**.

Use the ◀ or ▶ keys or the 🏠 key to return to the main **Vedana** screen.

#### DURATION (COLOR)

You can adjust the **Duration** from 5 to 45 minutes or select **Continual** mode.

#### THE CHROMA FUNCTION FEATURES NINE OPTIONS

▪ Deactivate	Deactivates the chromatherapy function.
▪ Violet	Immunizing and relaxing. Boosts the immune system, detoxifies the body, and reduces stress.
▪ Blue	Soothing and relaxing. Reduces arterial pressure and hyperactivity and soothes the soul.
▪ Green	Provides calm and balance. Relaxes entire body and stabilizes emotions.
▪ Yellow	Digestion and creativity. Helps digestion and regularity and calms brain activity.
▪ Orange	Healing and pain relief. Boosts respiratory system and soothes aching muscles.
▪ Red	Stimulating and exciting. Activates circulation and wakes up the senses.
▪ Scan	Fades from color into the next.
▪ Pause	Pauses colors as they fade in Scan mode.

LIGHT

Turn on the **light therapy** module by selecting **Activate**.

To turn it off, simply press **Deactivate**.

Select the desired option using the ▲ or ▼ arrows.

Use the ◀ or ▶ keys or the 🏠 key to return to the main Vedana screen.

DURATION

You can adjust the **Duration** of light therapy module from 5 to 45 minutes. This menu appears only when the light therapy is activated.

AROMA

Turn on the **aromatherapy** module by selecting **Activate**.

To turn it off, simply press **Deactivate**.

DURATION

You can adjust the **Duration** of aromatherapy from 5 to 45 minutes.

INTENSITY

- **Intensity 1: Low**
- **Intensity 2: Medium**
- **Intensity 3: High**

PREPROGRAMMED SESSIONS

SELECT ONE OF THE FOLLOWING TWO PREPROGRAMMED SESSIONS:

- **Echo**
- **Vivere**

When the session is selected, everything is ready and all you have to do is simply adjust the volume. The screen will display the name of the selected session. **Vivere** takes you on an inner voyage to recharge your batteries while **Echo** leads you to a state of total abandon and contemplation. The sessions last 30 minutes, and you can choose between **Play**, **Pause**, or **Stop** options.

USERS

To select the **Personalized** function, press the ▶ key until the **Users** function appears.

FOUR OPTIONS ARE AVAILABLE:

**User 1, 2, 3, 4 – Save each user's preferences**  
Using the the ▲ or ▼ arrows, select desired user settings.

To configure choices, see Save. Press **OK** to validate your choice.

Use the ◀ or ▶ keys or the 🏠 key to return to the main Vedana screen.

SAVE

The Vedana control system lets you save up to four user presets. This save function lets you conveniently preselect settings adapted to various users or purposes.

Simply set the functions and options according to your tastes and save them under User 1, User 2, etc. These user settings will stay saved until modified.


**SELECT A USER AND SAVE USER SETTINGS**  
Press the ▶ key until the **Save** function appears.

Use the ▲ or ▼ arrows to select a user number. Press **OK**.



Use the ◀ or ▶ keys or the 🏠 key to return to the main **Vedana** screen.


Repeat these steps for each user.


**LOCK**

This function lets you lock the control system in order to prevent the Vedana from starting unexpectedly or accidentally. It is also a child safety device, as it prevents children from starting the Vedana™ by pressing the  key.


To activate the **Lock** function, press the  key until the **Lock** function appears.



Using the  or  arrows, select the **Activate** option. Press **OK** to validate your choice.

When you stop the Vedana, the **Lock** function locks the  key, making it impossible to restart the system.

To restart the system when the **Lock** function is activated, press the  key.

**Lock** is displayed. Press **OK**.


To **deactivate** the **Lock** function, press the  key until the **Lock** function appears.


Use the the  or  arrows to select the **Deactivate** option. Press **OK**.


**CONTRAST**

This function controls the brightness of the control system display screen. No matter which setting you select, the screen is always clear and easy to read from any angle, regardless of the lighting conditions of the room where your Vedana is installed.




**NOTE:** The screen automatically dims after 2 minutes.

To set the display screen contrast, press the  or  key until the **Contrast** function appears.

**NOTE:** Use the  key to access this function more quickly when you start the turbine.

Press the  or  arrows until the desired percentage (%) of contrast is displayed.

Press **OK** to validate your choice.



Use the  or  keys or the  key key to return to the main **Vedana** screen.


**LANGUAGE**



The Vedana control system lets you select one of the following three display languages:




- **French**
- **English**
- **Spanish**

**NOTE:** The factory-selected language is English.

To choose the display language, press the  or  keys until the **Language** function appears

**NOTE:** Use the  key to access this function more quickly when you start the Vedana™.

Press the  or  arrows to select your desired language. Press **OK**.

Use the  or  keys or the  key to return to the main **Vedana** screen.



## MAINTENANCE

### POLYCARBONATE AND STAINLESS STEEL

#### TECHNICAL INFORMATION

- Front panels are made of polycarbonate and support posts of stainless steel.

#### MAINTENANCE

- Clean polycarbonate and stainless steel with a mild non-abrasive product.

### THERMOTHERAPY SYSTEM / AIR FILTER

#### TECHNICAL INFORMATION

- The air filter is found under the Vedana.

#### FREQUENCY

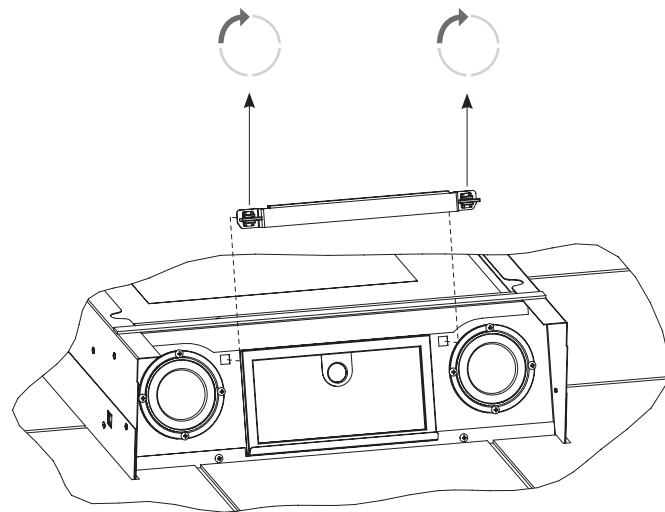
- The air filter must be cleaned twice a year.
- More frequent cleaning may be required depending on use and surrounding environment.

#### MAINTENANCE

- The air filter must be cleaned with water and mild soap. It is dishwasher safe.

### LIGHT THERAPY SYSTEM

Your light therapy is generated by LED light, so no maintenance is required.





**NEBULIZER / ESSENTIAL OIL DIFFUSER**
**TECHNICAL INFORMATION**

- The diffuser receptacle is made of polycarbonate.
- Essential-oil must be used in the diffuser only.
- The diffusion nebulizer is made of glass.
- Never over fill the diffuser.
- Use diffuser only with quality essential oil and avoid buying low-quality oil that could damage the Vedana™.

**FREQUENCY**

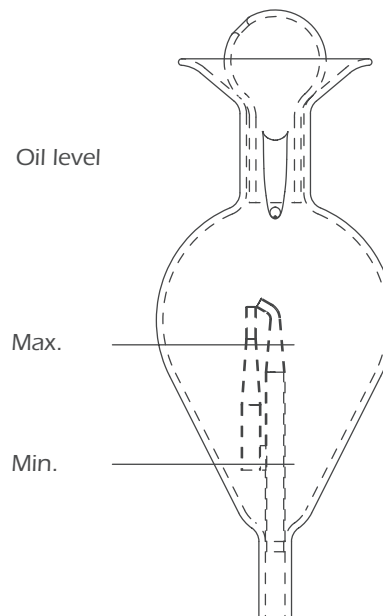
- Add oil before each use.
- Be careful not to overfill nebulizer.

**MAINTENANCE**

- Wash receptacle with water and mild soap after each use.
- If any essential oil spills on the Polycarbonate, clean with a non-abrasive cleaner immediately.

**SAFETY INSTRUCTIONS**

- See page 5 for safety instructions.



## TROUBLESHOOTING

### CONTROL

SITUATIONS	POSSIBLE ISSUES	POSSIBLE SOLUTIONS
<b>It will not start.</b>	<ul style="list-style-type: none"> <li>▪ The circuit interrupter (GFCI) is not "ON" in the electrical panel.</li> <li>▪ The fuse (FU1) is burnt.</li> </ul>	<ul style="list-style-type: none"> <li>▪ Make sure the circuit interrupter (GFCI) is "ON".</li> <li>▪ Replace the fuse (5 Amp).</li> </ul>

### FAN

SITUATIONS	POSSIBLE ISSUES	POSSIBLE SOLUTIONS
<b>It will not start.</b>	<ul style="list-style-type: none"> <li>▪ The fuse (FU2) is burnt.</li> </ul>	<ul style="list-style-type: none"> <li>▪ Replace the fuse (1 Amp).</li> </ul>
<b>It vibrates or makes noise.</b>	<ul style="list-style-type: none"> <li>▪ The air filter under the unit has not been put back in place and an object could have been vacuumed.</li> </ul>	<ul style="list-style-type: none"> <li>▪ Please contact BainUltra.</li> </ul>
<b>It turns off before the end of the therapy and will not start again.</b>	<ul style="list-style-type: none"> <li>▪ The manual thermal protection has tripped related to a major problem. The fan then stops immediately.</li> </ul>	<ul style="list-style-type: none"> <li>▪ Please contact BainUltra.</li> </ul>

### THERMOTHERAPY

SITUATIONS	POSSIBLE ISSUES	POSSIBLE SOLUTIONS
<b>The fan works but heat does not get out from the air outlet.</b>	<ul style="list-style-type: none"> <li>▪ The system is in a cooling process. The fan works for three minutes after the heating element stops to allow the system to cool down before its complete stop.</li> </ul>	<ul style="list-style-type: none"> <li>▪ Wait three minutes and the fan will stop.</li> </ul>
<b>The temperature is not constant or the performances of the unit slow down.</b>	<ul style="list-style-type: none"> <li>▪ The air filter under the unit could be blocked.</li> </ul>	<ul style="list-style-type: none"> <li>▪ Clean the air filter frequently.</li> </ul>

**SOUND THERAPY**

SITUATIONS	POSSIBLE ISSUES	POSSIBLE SOLUTIONS
<b>No sound is coming out of the speakers and the green light on the MP3 is off.</b>	<ul style="list-style-type: none"> <li>▪ Speakers deactivated.</li> <li>▪ Communication problem between the MP3 and the control (no files appeared in the musical playlist).</li> <li>▪ The chromatherapy module will not work either.</li> </ul>	<ul style="list-style-type: none"> <li>▪ Make sure the speakers are activated in the Sound menu.</li> <li>▪ Make sure the MP3 is supplied with electricity.</li> <li>▪ Make sure the connector mini-DIN behind the MP3 is well plugged in.</li> <li>▪ Reboot the MP3 and Vedana.</li> <li>▪ Please contact BainUltra.</li> </ul>
<b>No sound is coming out of the speakers but the green light on the MP3 is on.</b>	<ul style="list-style-type: none"> <li>▪ The player is at "STOP" or "PAUSE".</li> <li>▪ There is not music in the selected source (external source or personal musical selections).</li> <li>▪ Communication problem between the MP3 and the control (no files appeared in the musical playlist).</li> <li>▪ The speakers wires are not plugged in in the MP3.</li> </ul>	<ul style="list-style-type: none"> <li>▪ Press "STOP" and then "PLAY".</li> <li>▪ Select in the menu Source: BU List. Then press "Play".</li> <li>▪ Make sure the connector mini-DIN behind the MP3 is well plugged in.</li> <li>▪ Reboot the MP3 and Vedana.</li> <li>▪ Remove the MP3 from the wall, make sure the 2 RCA wires are well connected into the MP3.</li> </ul>

**AROMATHERAPY**

SITUATIONS	POSSIBLE ISSUES	POSSIBLE SOLUTIONS
<b>It will not start.</b>	<ul style="list-style-type: none"> <li>▪ The AROMATHERAPY function is not activated.</li> <li>▪ The level of essential oil in the nebulizer is insufficient.</li> </ul>	<ul style="list-style-type: none"> <li>▪ Make sure the AROMATHERAPY function is activated.</li> <li>▪ Make sure the diffusion nebulizer is filled to its functional level (see Owner's Manual page 25).</li> </ul>

