

PRODUCT SHEET

ELEGANCIA 7242

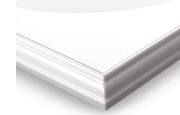
72 x 42 x 21

A bath shaped to your preferences.



© BAINULTRA®

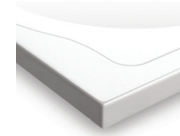
CONTOURS



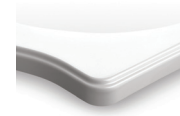
Drop-in C-10



Drop-in C-11



Alcove / Drop-in C-12



Drop-in C-13



Drop-in C-14



Drop-in C-15

FEATURES	
Installation type	- Drop-in - Alcove (3 walls) C12
No. of bathers	2
Heated backrest	1
Armrests	4
Grab bars (color match)	2
Control	MiaPlus
ThermoMasseur® bath	\$
Soaker bath	\$

THERAPIES	
Chromatherapy 3-LED	\$
Sound Therapy (Euphonia™ System)	\$

COLORS	
Standards	
White	Bone
Biscuit	Almond
Optionals	
Black	Mexican sand
Innocent blush	Cashmere
Sandbar	Grey

WARRANTY	
Controls*	5 years
Bath & turbine*	20 years

*Some restrictions apply | www.bainultra.com/warranty



IMPORTANT: KEEP THE ORIGINAL. PLEASE MAKE COPIES.

ELEGANCIA™: ELEGANCIA 6032, ELEGANCIA 6636, ELEGANCIA 6642, ELEGANCIA 7236, ELEGANCIA 7242



The quest for your wellness™
www.bainultra.com

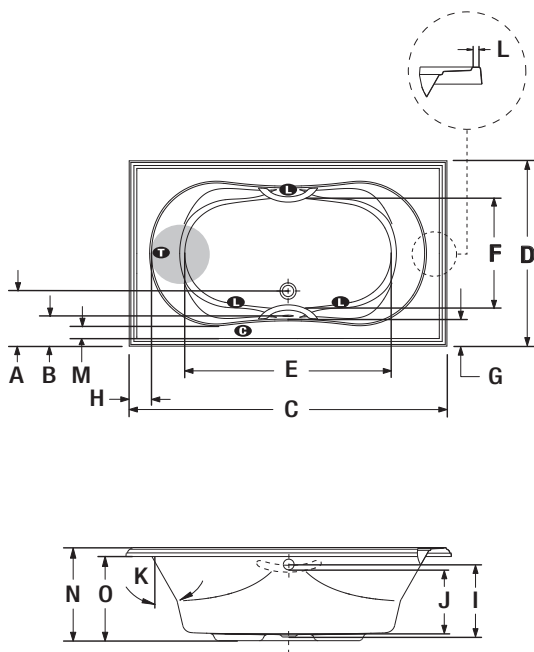
ELEGANCIA 7242 72 x 42 x 21

ACCESSORIES - OPTIONAL

Skirts	Littora \$	Elegance \$
Clear acrylic grab bars	With Chrome, Brass or Brushed nickel inserts \$	
G11 Metallic grab bars	- Chrome, Brass \$	
	- Brushed nickel, Polished nickel \$	
Drain & overflow	*D-14 (Elegancia)	D-13 (Balneo)
- Chrome	\$	\$
- White, Biscuit, Bone	\$	N/A
- Brass	\$	\$
- Brushed nickel, Polished nickel	\$	\$
- Oil-rubbed bronze	N/A	\$
- Unplated	N/A	\$
*Piping is not included for this model (D14).		

Control	MiaMulti	\$
Elegancia floor	Floor pattern	\$
Cutting template	# 90000041 (C11, C13 & C14)	
Other	Optional tile flange for C12 contour. (specify front or back)	\$

TOTAL PRICE	\$
--------------------	----



LETTER	DESCRIPTION	MEASURE
A	Outside edge to center drain	12 1/2"
B	Outside edge to overflow	6 1/2"
C	Total length	71 1/2"
D	Total width	41 1/2"
E	Bathing well length	47 1/4"
F	Bathing well width	25 3/8"
G	Deck width (widest point)	6 1/8"
H	Deck width at backrest end	5"
I	Height from drain to center of overflow	16"
J	Maximum water level	14 1/4"
K	Slope of backrest	30°
L	Flat contour width (narrowest point) C12 ONLY	0 5/8"

- T** Indicates turbine position
- L** Indicates LED light position
- Indicates heated backrest
- C** Indicates control position when factory-installed

LETTERS	DESCRIPTION	C10	C11	C12	C13	C14	C15
M	Deck width (narrowest point)	2 5/8"	2 7/8"	1 7/8"	2"	2 1/2"	3 1/4"
N	Height from bottom of tub to top deck	20 3/4"	20 5/8"	21"	20 5/8"	20 3/4"	20 5/8"
O	Height from bottom of tub to bottom of lip	18 3/4"	17 1/8"	19"	18 5/8"	18 3/4"	17 7/8"

ELEGANCIA 7242 TECHNICAL SPECIFICATIONS

Jets	40	Hot water supply required	Should be 70% of water capacity of tub or greater.	
US gallons	60		Turbine access	Must be at least 18" X 22" to access the pump. Must be connected to a 15 A, 120 V, 60 Hz, protected by a ground-fault circuit interrupter (GFCI) on a dedicated line.
Imp. gallons	50			
Approx. shipping weight	141 lbs	Standards	All BainUltra products meet and/or exceed the highest quality and certification standards. For further details about BainUltra's product standards, please go to the following link: (www.bainultra.com/standards).	
Turbine power	755 W		Our products must be installed by certified professionals only and according to our Owner's Manual as well as federal, provincial/state and local building codes and regulations (www.bainultra.com/documentation).	
Air heater	700 W			

1 800 463.2187 | From 8 a.m. to 8 p.m. Monday to Thursday (EST) . From 8 a.m. to 5 p.m. on Friday (EST)

The specifications shown indicate the outer edge dimension and the inside bathing capacity dimension measured at air jets' height. The manufacturer accepts a 1/4" [0.64 cm] variance. There are variations on each product and specifications are subject to change as we improve upon our product as required. The dimensions needed for site preparation and structure building will differ. BainUltra® assumes no responsibility for preparatory work done prior to the product being on site.