



PRODUCT SHEET

SANOS

72 x 40 x 24
Unique elegance.



© BAINULTRA®

FEATURES	
Installation type	Freestanding
No. of bathers	2
Heated backrest	1
Control	MiaMulti
ThermoMasseur® bath	\$
Soaker bath	\$

THERAPIES	
Sound Therapy (Euphonia™ System)	\$

COLORS	
Standards	
White	Bone
Biscuit	Almond
Optionals	
Black	Mexican sand
Innocent blush	Cashmere
Sandbar	Grey

WARRANTY	
Controls*	5 years
Bath & turbine*	20 years
*Some restrictions apply www.bainultra.com/warranty	



IMPORTANT: KEEP THE ORIGINAL. PLEASE MAKE COPIES.

BALNEO®: CELLA 6036, CELLA 7240, NAOS, SANOS

BainUltra®

The quest for your wellness™
www.bainultra.com

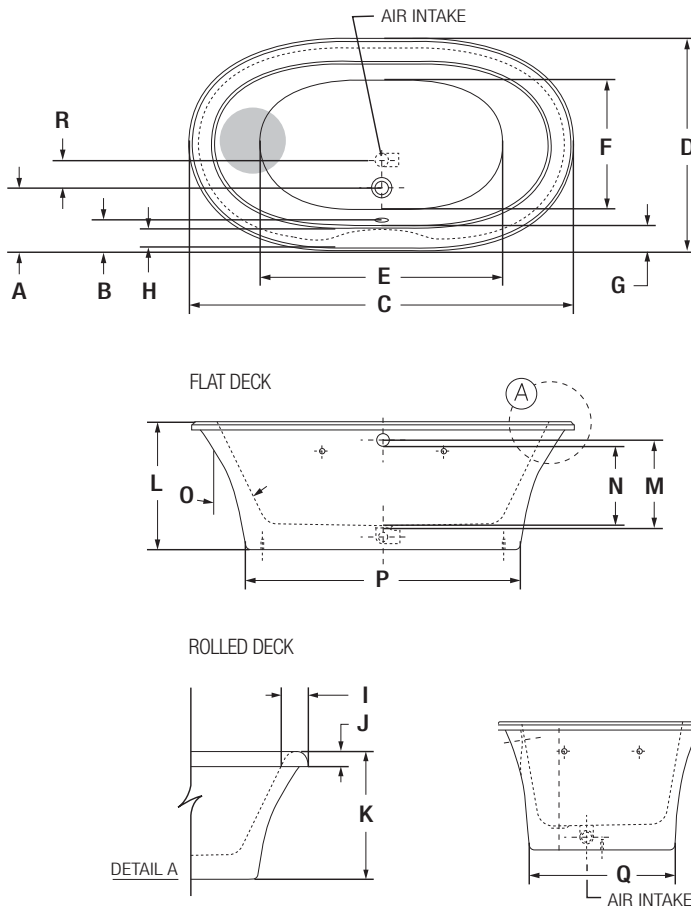
SANOS 72 x 40 x 24

ACCESSORIES - OPTIONAL

Drain & overflow	D-13 (Baileo) - Chrome - Brushed nickel, Polished nickel, Brass, Unplated - Oil-rubbed bronze	\$ \$ \$
Towel bars	- Chrome, Unplated - Brushed nickel, Polished nickel, Oil-rubbed bronze, Brass	\$ \$ \$
For air supply only	Decorative pipe (1 1/2" x 6") Decorative pipe (1 1/2" x 24") Elbow (45°) Elbow (90°)	\$ \$ \$ \$

Others	- There is a height difference for the rolled deck (see drawing Detail A). - Faucets must be freestanding or wall mounted. - The turbine must be remotely installed.
---------------	--

TOTAL PRICE	\$
--------------------	----



LETTER	DESCRIPTION	MEASURE
A	Outside edge to center drain	11 5/8"
B	Outside edge to overflow	5 3/8"
C	Total length	71 1/2"
D	Total width	39 7/8"
E	Bathing well length	45 1/4"
F	Bathing well width	24"
G	Deck width	5"
H	Flat surface width	3 1/4"
I	Rolled deck width	5 5/8"
J	Height from bottom of lip to top deck	2 1/2"
K	Height from bottom of tub to top deck	25 1/2"
L	Height from bottom of tub to top deck	24 1/2"
M	Height from drain to center of overflow	16 7/8"
N	Maximum water level	14 3/4"
O	Slope of backrest	25°
P	Base length	50"
Q	Base width	28"
R	Distance from center air intake to center drain	5 1/8"

● Indicates heated backrest

SANOS TECHNICAL SPECIFICATIONS

Jets	40	Hot water supply required	Should be 70% of water capacity of tub or greater.
US gallons	55	Turbine access	Must be at least 18" X 22" to access the pump. Must be connected to a 15 A, 120 V, 60 Hz, protected by a ground-fault circuit interrupter (GFCI) on a dedicated line.
Imp. gallons	41	Standards	All BainUltra products meet and/or exceed the highest quality and certification standards. For further details about BainUltra's product standards, please go to the following link: (www.bainultra.com/standards).
Approx. shipping weight	260 lbs	Our products must be installed by certified professionals only and according to our Owner's Manual as well as federal, provincial/state and local building codes and regulations (www.bainultra.com/documentation).	
Turbine power	755 W		
Air heater	700 W		

1 800 463.2187 | From 8 a.m. to 8 p.m. Monday to Thursday (EST) . From 8 a.m. to 5 p.m. on Friday (EST)

The specifications shown indicate the outer edge dimension and the inside bathing capacity dimension measured at air jets' height. The manufacturer accepts a 1/4" [0.64 cm] variance. There are variations on each product and specifications are subject to change as we improve upon our product as required. The dimensions needed for site preparation and structure building will differ. BainUltra® assumes no responsibility for preparatory work done prior to the product being on site.