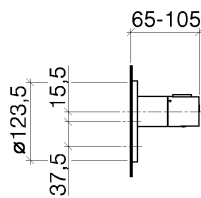


Sieger Design

XTOOL THERMOSTAT TRIM**36416979****FEATURES**

Exposed trim parts only
 - 4 7/8" diameter cover plate
 - Temperature control handle with safety lock
 Rough to be ordered separately

**BODY FINISHES**

00 polished chrome
 06 platinum matt
 08 platinum
 10 mattweiss
 33 matt black

CODES

ANSI/ASME A112.18.1

ACCESSORY FITTINGS

36.416.979-FF

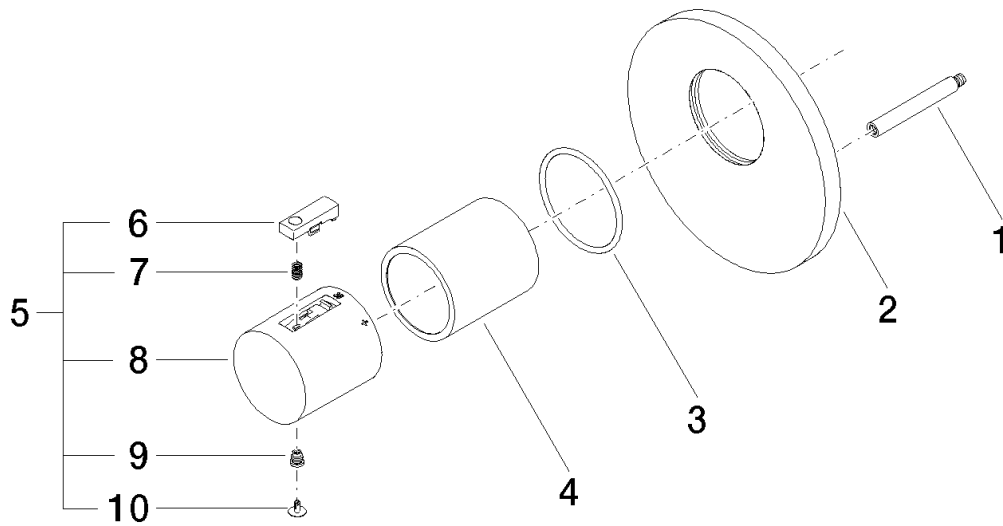
3551797090 Rough for xTool thermostat, without
 volume control

Line Drawing Conversion: mm x 0.0394 = inches

Sieger Design

XTOOL THERMOSTAT TRIM

36416979



Sieger Design

XTOOL THERMOSTAT TRIM**36416979**

Posno	Partnumber	Designation	Sheeting Qty	Order Qty
1	09310909590	bar	1	1
2	091102162ff	cover	1	1
3	09141004990	seal	1	1
4	092102112ff	sleeve	1	1
5	04173300401ff	handle	1	1
6	092133010ff	handle	1	1
7	09160202790	spring	1	1
8	091733004ff	handle	1	1
9	09303013690	screw	1	1
10	093120049ff	plug	1	1

Sieger Design

XTOOL THERMOSTAT TRIM

36416979

TARA CLASSIC BY DORNBRAUCH

XTOOL THERMOSTAT TRIM

Exposed trim parts only
- 4 7/8" diameter cover plate
- Temperature control handle with safety lock
Rough to be ordered separately

